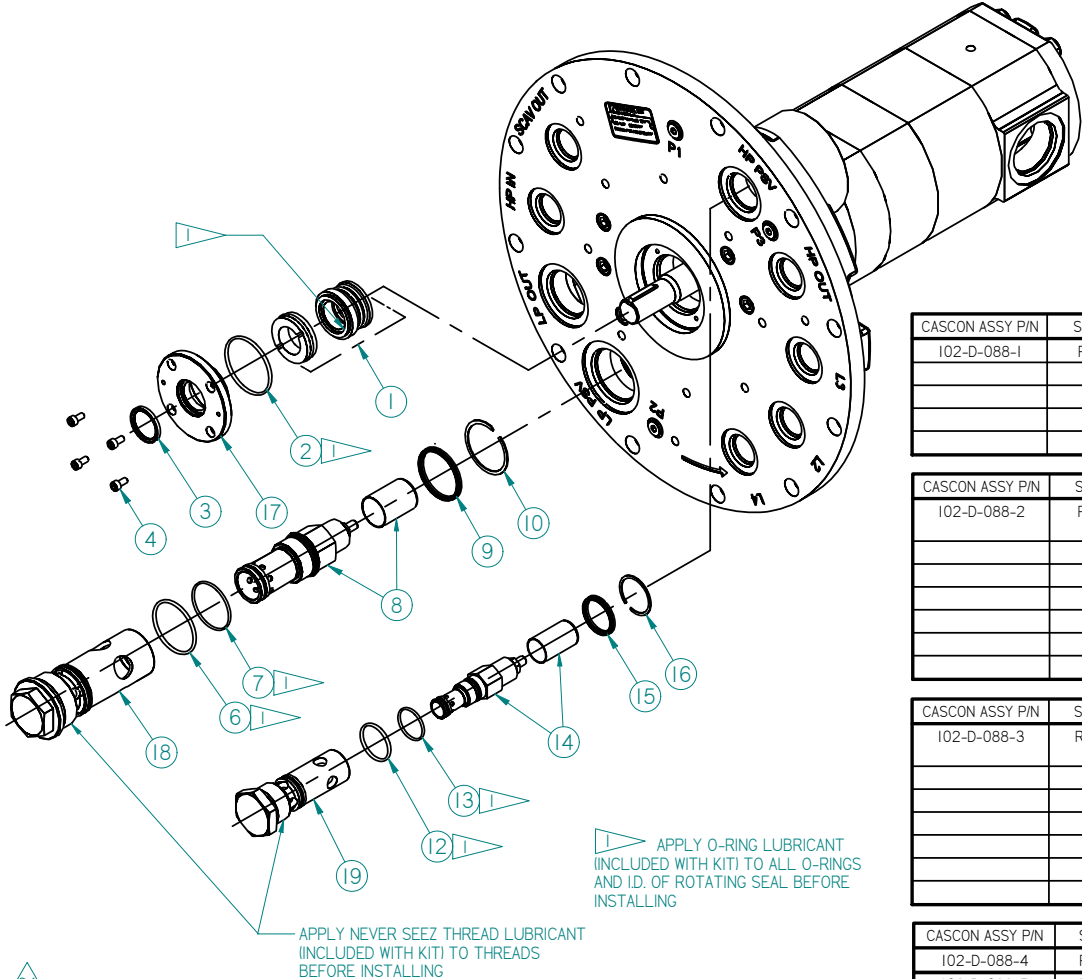


Concepts and information contained on this drawing are proprietary to CASCON INC and may not be reproduced without written permission from CASCON INC.

CURRENT REVISION LEVEL			G	N/A
ECO NO.	BY	DATE	DWG	PART
1523	PJC	8/24/2015	G	N/A



CASCON ASSY P/N	SIEMENS P/N	TITLE	ITEM	QTY	DOCUMENT NO	PART REV	DESCRIPTION
102-D-088-1	RR024403	SEAL REBUILD KIT	1	1	102-D-059	NONE	MECHANICAL SEAL ASSEMBLY
			2	1			O-RING, V0747-75 OR EQUIV.
			3	1			SEAL
			4	4			SOCKET HEAD CAP SCREW #10
			5	1			O-RING LUBRICANT, 1 OZ TUBE

CASCON ASSY P/N	SIEMENS P/N	TITLE	ITEM	QTY	DOCUMENT NO	PART REV	DESCRIPTION
102-D-088-2	RRE048381	LOW PRESSURE RELIEF VALVE KIT	8	1	102-D-088-7	NONE	RELIEF VALVE, CALIBRATED
			6	1			O-RING, V0747-75 OR EQUIV.
			7	1			O-RING, V0747-75 OR EQUIV.
			9	1			O-RING BACKED U-CUP, VITON 90 DUROMETER
			10	1			RETAINING RING, INTERNAL
			11	1			ANTI SEIZE LUBRICANT, 1 OZ TUBE
5	1	O-RING LUBRICANT, 1 OZ TUBE					

CASCON ASSY P/N	SIEMENS P/N	TITLE	ITEM	QTY	DOCUMENT NO	PART REV	DESCRIPTION
102-D-088-3	RRE048382	HIGH PRESSURE RELIEF VALVE KIT	12	1	102-D-088-8	NONE	O-RING, V0747-75 OR EQUIV.
			13	1			O-RING, V0747-75 OR EQUIV.
			15	1			O-RING BACKED U-CUP, VITON 90 DUROMETER
			16	1			RETAINING RING, INTERNAL
			14	1			RELIEF VALVE, CALIBRATED
			11	1			ANTI SEIZE LUBRICANT, 1 OZ TUBE
5	1	O-RING LUBRICANT, 1 OZ TUBE					

CASCON ASSY P/N	SIEMENS P/N	TITLE	ITEM	QTY	DOCUMENT NO	PART REV	DESCRIPTION
102-D-088-4	RRE024406	SEAL PLATE	17	1	102-D-020	B	SEAL PLATE, RB211
102-D-088-5	RRE024407	LP VALVE BODY	18	1	102-D-076	C	BODY, VALVE, RB211 LOW PRESSURE
102-D-088-6	RRE024408	HP VALVE BODY	19	1	102-D-077	C	BODY, VALVE, RB211 HIGH PRESSURE



- NOTES:
1. COMMERCIAL INVOICE AND PACKING SLIP PROVIDED WITH EACH SHIPMENT. CUSTOMER ORDER NUMBER, CUSTOMER PART NUMBER AND VENDOR CODE 216047 TO APPEAR ON ALL SHIPPING DOCUMENTS.
  2. COMPONENTS SHALL BE COMBINED AS REQUIRED TO FORM KITS WITH ONE PART NO. COMPONENT OR KIT PACKED PER BOX.
  3. A COPY OF CASCON DRAWING NO. 102-D-088-X TO ACCOMPANY KITS.
  4. ALL KITS CONTAINING A VALVE WILL BE SHIPPED WITH A CERTIFICATE OF CONFORMANCE FOR THE VALVE. AT A MINIMUM THE CERTIFICATE SHALL STATE THE CASCON PART NUMBER, REVISION LEVEL, AND TEST DATE.

APPLY O-RING LUBRICANT (INCLUDED WITH KIT) TO ALL O-RINGS AND ID. OF ROTATING SEAL BEFORE INSTALLING

APPLY NEVER SEEZ THREAD LUBRICANT (INCLUDED WITH KIT) TO THREADS BEFORE INSTALLING

DRAWN: PJC	DATE: 05/16/05	UNLESS OTHERWISE SPECIFIED: DIMENSIONS ARE IN INCHES (mm) FINISH IS 125 MICROINCH Ra MAXIMUM INTERNAL RADII .020 MAXIMUM TOLERANCES ARE: X +/- .030 XX +/- .015 XXX +/- .005 ANGLES +/- 1/2 DEGREE DRAWING INTERPRETATION PER 10-S-003
ENGINEER: WRB	DATE: 1/22/09	
MATERIAL:	REFERENCE: 102-D-091	

**CASCON INC**

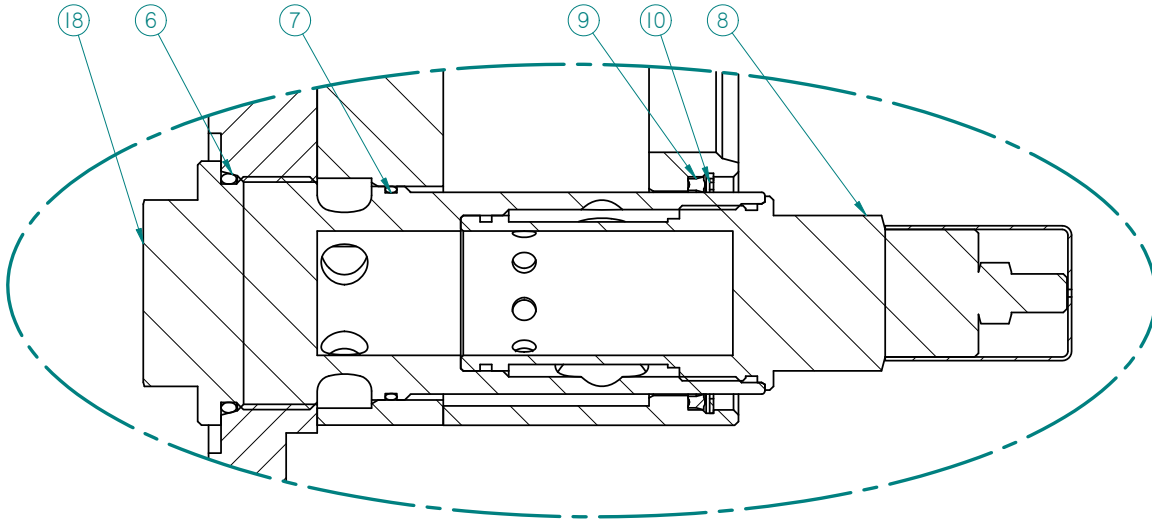
TITLE: PRODUCT DRAWING, PN 102-D-088-X RB211, SEAL & VALVE REBUILD KITS

DRAWING NO. 102-D-088-X

SHEET 1 OF 2

Concepts and information contained on this drawing are proprietary to CASCON INC and may not be reproduced without written permission from CASCON INC.

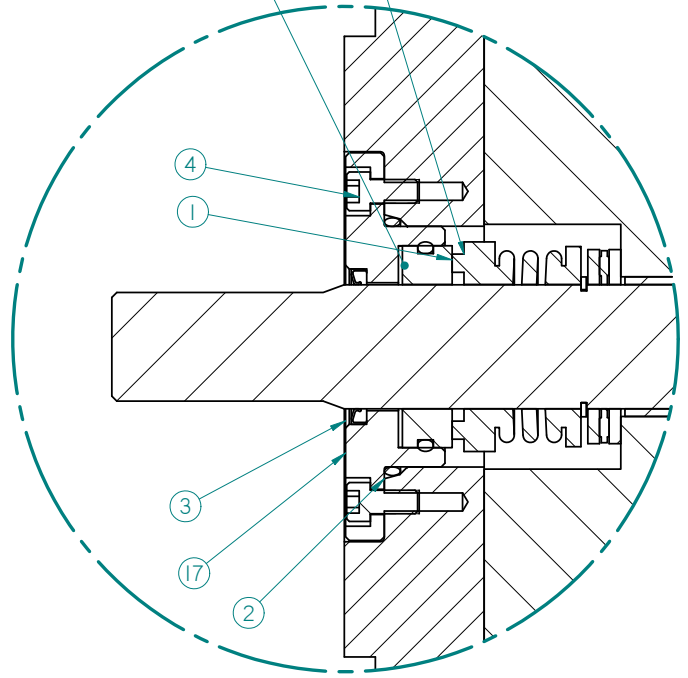
CURRENT REVISION LEVEL			G	N/A
ECO NO.	BY	DATE	DWG	PART
1523	PJC	8/24/2015	G	N/A



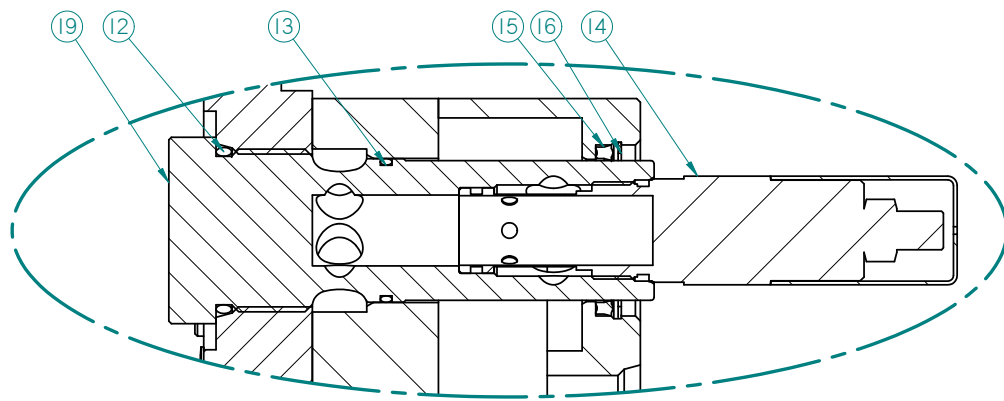
INSTALLED VALVE 102-D-088-2

NOTE LOCATION OF SHOULDER ON ROTARY FACE WHEN INSTALLED

NOTE LOCATION OF SLOT ON STATIONARY SEAT WHEN ROTARY SEAL IS ASSEMBLED



INSTALLED SEAL DETAIL



INSTALLED VALVE 102-D-088-3

DRAWN: PJC	DATE: 05/16/05	UNLESS OTHERWISE SPECIFIED: DIMENSIONS ARE IN INCHES (mm) FINISH IS 125 MICRINCH Ra MAXIMUM INTERNAL RADII .020 MAXIMUM TOLERANCES ARE: X +/- .030 XX +/- .015 XXX +/- .005 ANGLES +/- 1/2 DEGREE DRAWING INTERPRETATION PER 10-S-003			
ENGINEER: WRB	DATE: 1/22/09			TITLE: PRODUCT DRAWING, PN 102-D-088-X RB211, SEAL & VALVE REBUILD KITS	
MATERIAL:		REFERENCE: 102-D-091		DRAWING NO. 102-D-088-X	SHEET 2 OF 2